

No-Drip™ Air Powered Fluid Control Valve



**2100-803-000-AA
Fluid Control Valve**

- **Power Fluid Control Valve**
- **High Volume In-Line Material Flow Control Valve**
- **3/4" Material Inlet (N.P.T.F.)**
- **3/4" Material Outlet (N.P.T.M.)**
- **Double Air Operated**
- **16:1 Power Ratio**
- **Carbide Ball And Hardened Seat**
- **Stainless Steel (Fluid Body)**
- **4,000 PSI Max Material Pressure**

Designed for high viscosity, high volume applications, the 2100-803-000-AA valve will stop or start the flow of pressure fed materials quickly and effectively. The stainless steel valve fluid body, carbide ball and hardened seat are designed to be compatible with variety of abrasive and non-abrasive materials.

The valve utilizes a broad selection of internal seal materials that will insure the valve's service life is maximized.

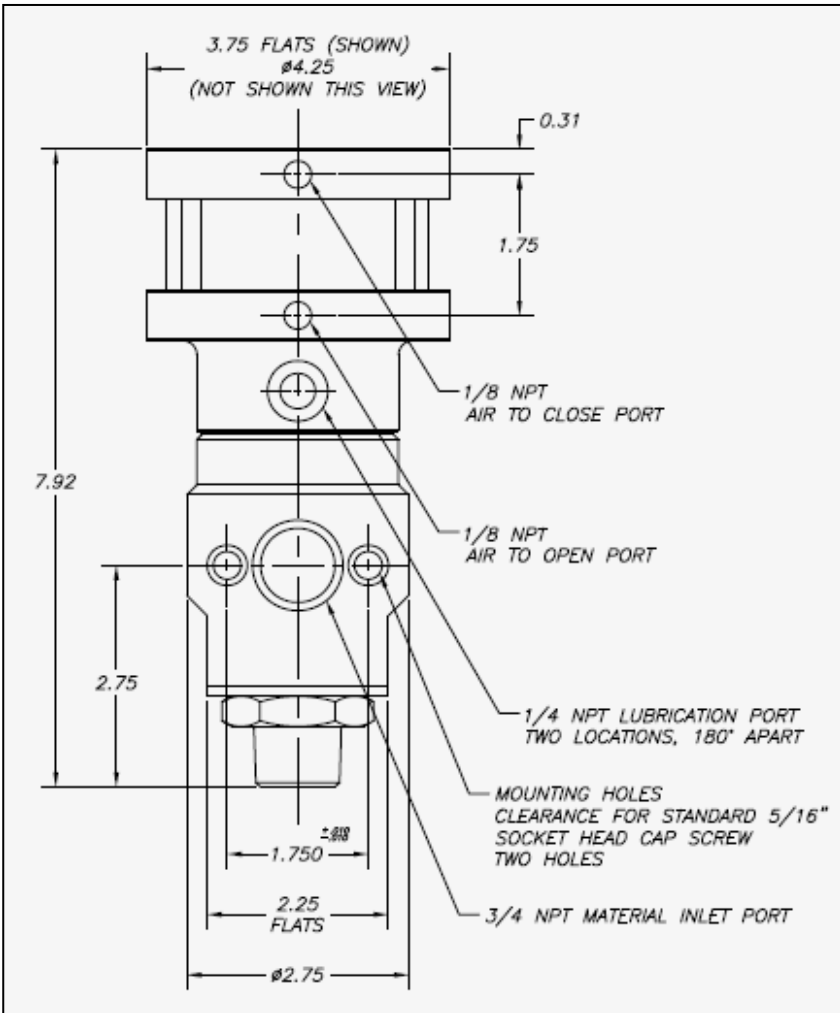
The double air operated is often used as inlet or outlet power control valves on single or plural component metering systems. They are also used as isolation valves on header systems.

45677 Helm Street • P.O. Box 701460 • Plymouth, MI 48170-0965 • USA

Phone: (734) 459-8600 • Fax: (734) 459-8686

E-mail: valves@sealantequipment.com • web: www.sealantequipment.com/valves

2100-803-000-AA Fluid Control Valve



Specifications

- 4,000 PSI Maximum Operating Pressure (34.5mpa), (345 Bar)
- 60 P.S.I. Minimum Air Pressure
- Carbide Ball And Hardened Seat
- 16:1 Power Ratio
- 3/4" N.P.T.M. Material Outlet Port
- 3/4" N.P.T.F. Material Inlet Port
- 1.03" Mounting Slot
- 1/4" Air To Open/Air To Close
- 2 - 5/16 SHCS Mounting Holes
- Dimensions
 - 7.92" Overall Length
 - 4.25" Width (Maximum)

**2100-803-000-AA
Fluid Control Valve
Dimensions**



Form 803-0705 • Copyright 2007



Manufacturers of Precision Dispense Systems & Valves

45677 Helm Street • P.O. Box 701460
Plymouth, MI 48170 • USA
Phone: (734) 459-8600 Fax: (734) 459-8686
Web: www.sealantequipment.com/valves
E-mail: valves@sealantequipment.com