

High Volume 'Apollo' "No-Drip"® Control Valve



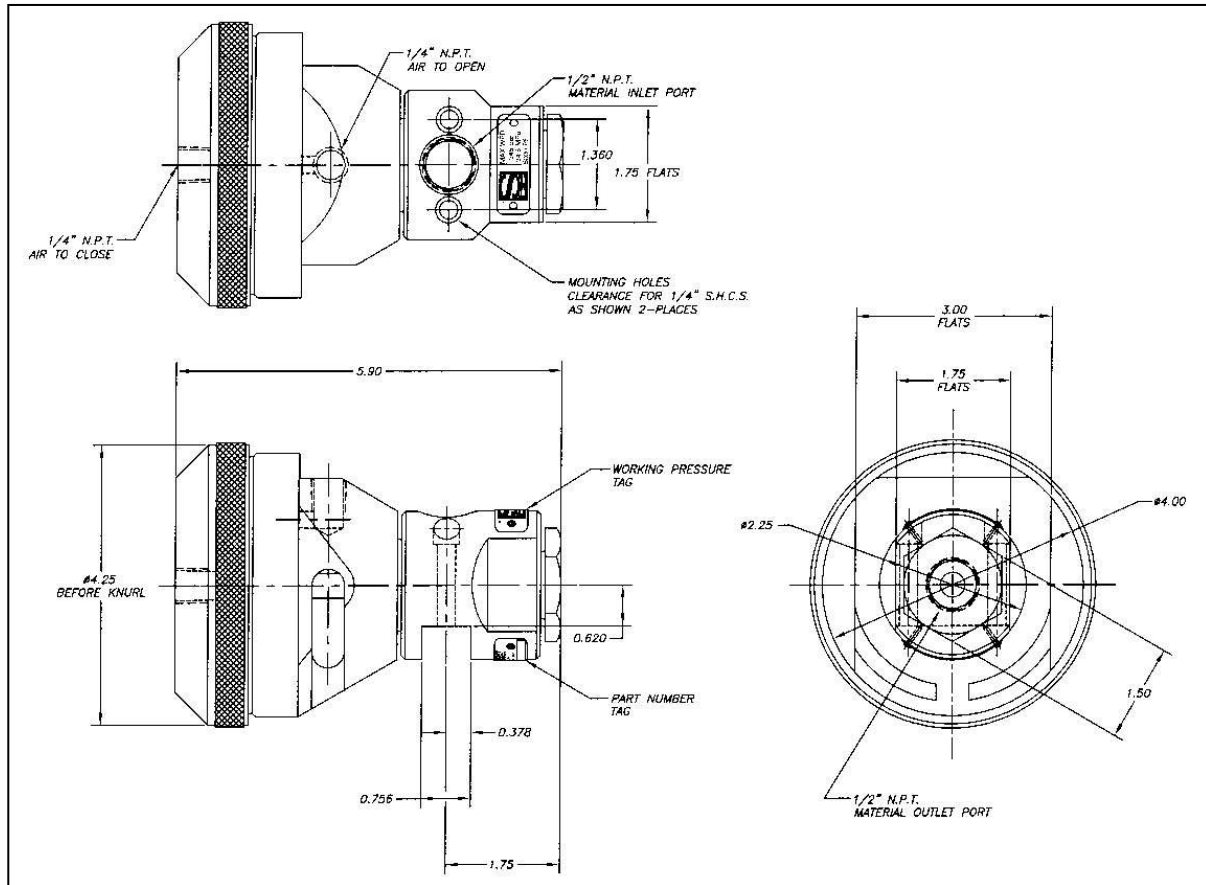
- 2200-396-013-AA
- Stainless Steel Wetted Components
- Apollo Power Control Valve
- No-Drip Design with Carbide Ball and Seat
- Instantaneous On/Off Control of Material Flow
- 60:1 Power Ratio
- Double Air Operated
- ½" N.P.T.F. Inlet and Outlet Ports

**2200-396-013-AA
Stainless Steel Valve Shown**



**Power Inlet/
Outlet Apollo
Valves On High
Viscosity, Two
Component
Metering System**

2200-396-013-AA Apollo Fluid Control Valve



Specifications

Working pressure	5,000 P.S.I.
Min. air pressure	60 P.S.I.
Max. air pressure	100 P.S.I.
Power factor	60:1
Inlet	1/2" N.P.T.F.
Outlet	1/2" N.P.T.F.
Air Open/Close	1/4" N.P.T.F.
Weight	5.84 lbs
OA height	5.90"
OA width	4.38"

Available Models

2200-396-001-AA	Carbon Steel components, carbide ball and seat
2200-396-010-AA	S. S. components w/spring cap
2200-396-013-AA	S. S. wetted components w/large divorce port
2200-396-014-AA	with 1/2" N.P.T.F. heat ports
2200-396-017-AA	-001 w/ stroke limiter
2200-396-019-AA	-010 valve w/ Delrin bearing
2200-396-022-AA	SS needle and seat, titanium nitride coated, Delrin bearing



Manufacturers of Precision Dispense Systems & Valves

45677 Helm Street • P.O. Box 701460

Plymouth, MI 48170 • USA

Phone: (734) 459-8600

Fax: (734) 459-8686

Web: www.sealantequipment.com

E-mail: dispensevalves@sealantequipment.com