

Multi-Stream Applicator

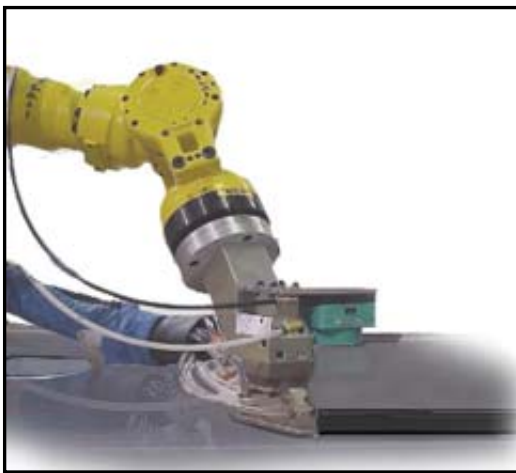
for Liquid Applied Sound Deadener

Multiple Orifice Nozzle Assembly For Dispensing Bands Of Material



2600-013-005-AA Dual MSA Valve
Patented Technology

- ▶ **Dual Valve Design Can Dispense 3” or 6” Ribbons Paths With The Same Applicator**
- ▶ **Pattern Width Is Controlled By Width Of Nozzle Plate**
- ▶ **Innovative Pattern And Orifice Spacing Configured For Multiple Application Requirements**
- ▶ **Used In Conjunction With Sealant Equipment’s Positive Displacement Servo or Servo-Pneumatic Dispense Systems**

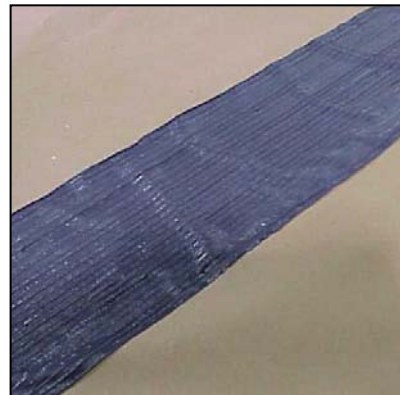


Applications

- Water based NVH materials
- Vinyl coatings
- Masking applications
- Sound deadening applications

Benefits

- Low maintenance, simple mechanical design
- Low shear application reduces wear
- Low pressure application for improved reliability
- Consistent ribbon and film build
- Controlled pattern width w/ (46) stream orifices

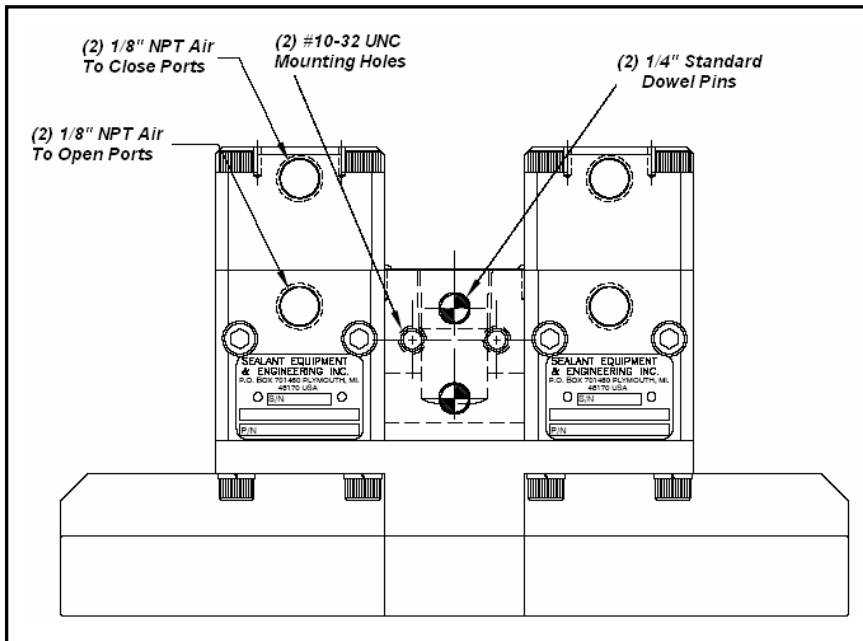


2600-013-005-AA Dual-Valve MSA

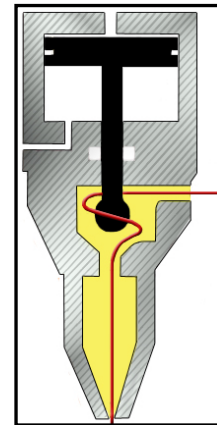


SPECIFICATIONS:

Weight (Dry):	4.65 lbs; 2.11 kg.
Height:	4.14"; 105.16 mm
Width:	7.00"; 177.8 mm
Depth:	2.88"; 73.15 mm
Material Inlet:	3/8" N.P.T. (F)
Material Outlets:	(4) Carbide Stream Orifices
Air Ports:	(4) 1/8" N.P.T. (F) (Open/Close)
Air Pressure Required:	60 P.S.I. (4.0 Bar) Min.
Mounting Holes:	#10-32 UNC & (2) 1/4" Standard Dowel Pin Holes
Packings:	Elastoplastic
Actuator:	4-Way Pneumatic Valve
Service Kit:	2150-456-000 (Sold Separately)



Mounting Configuration



No-Drip®
Dispense Valve
Technology

ADDITIONAL DUAL MSA MODELS:

2600-013-007-AA

-005-AA w/SST fluid body

Form 013-005-0610 • Copyright 2006



Manufacturers of Precision Dispense Systems & Valves

45677 Helm Street • P.O. Box 701460

Plymouth, MI 48170 • USA

Phone: (734) 459-8600

Fax: (734) 459-8686

Web: www.sealantequipment.com/valves

E-mail: valves@sealantequipment.com